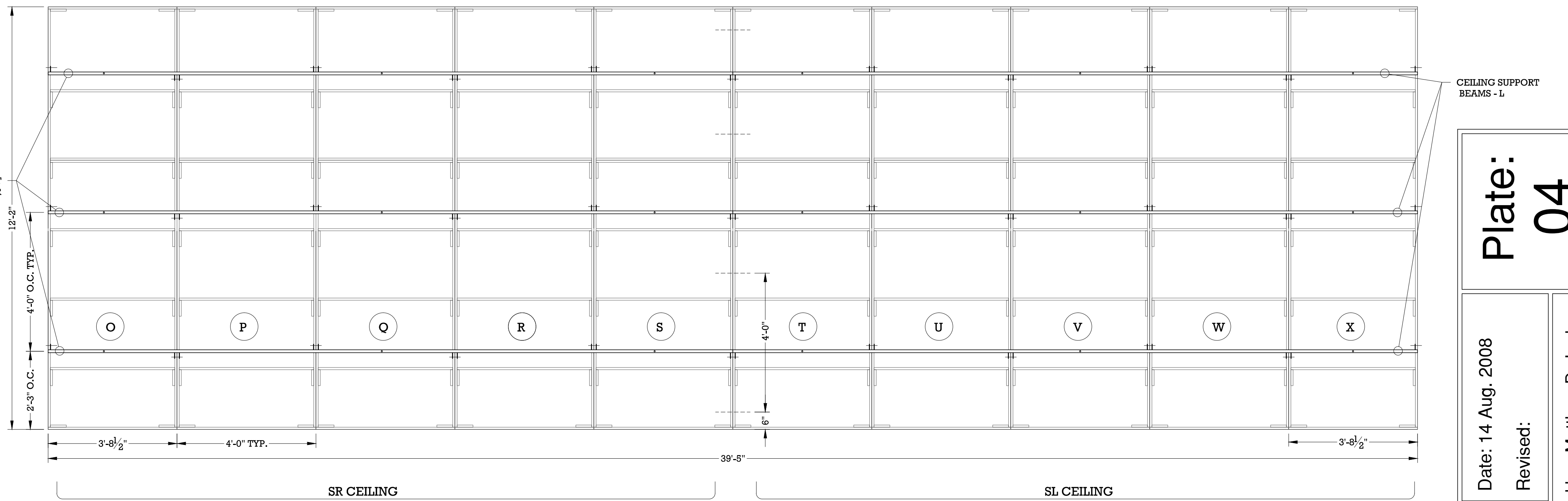
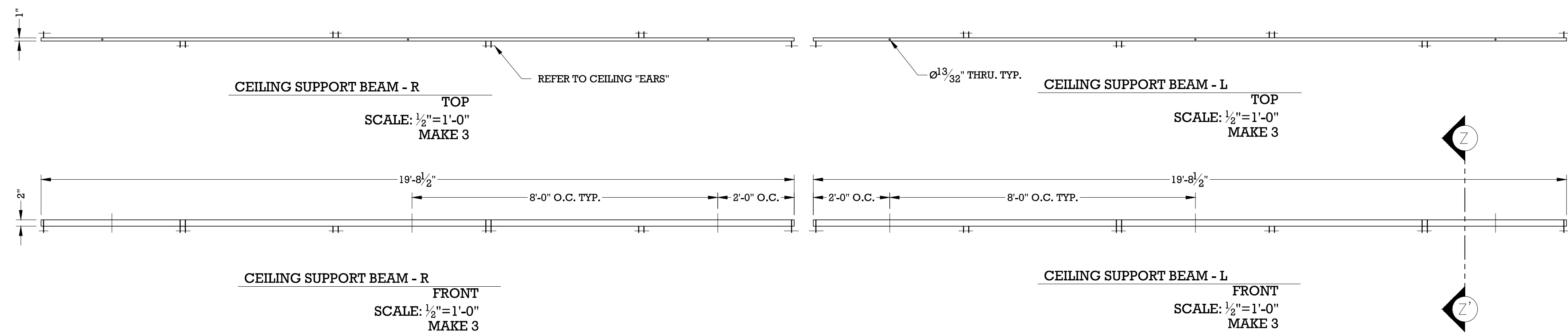


CEILING "EARS"
SCALE: 6" = 1'-0"
1/8" STEEL
MAKE 62

SECTION ON ZZ'
SCALE: 6" = 1'-0"



CEILING ASSEMBLED
TOP (SKINS DOWN)
SCALE: 1/2" = 1'-0"

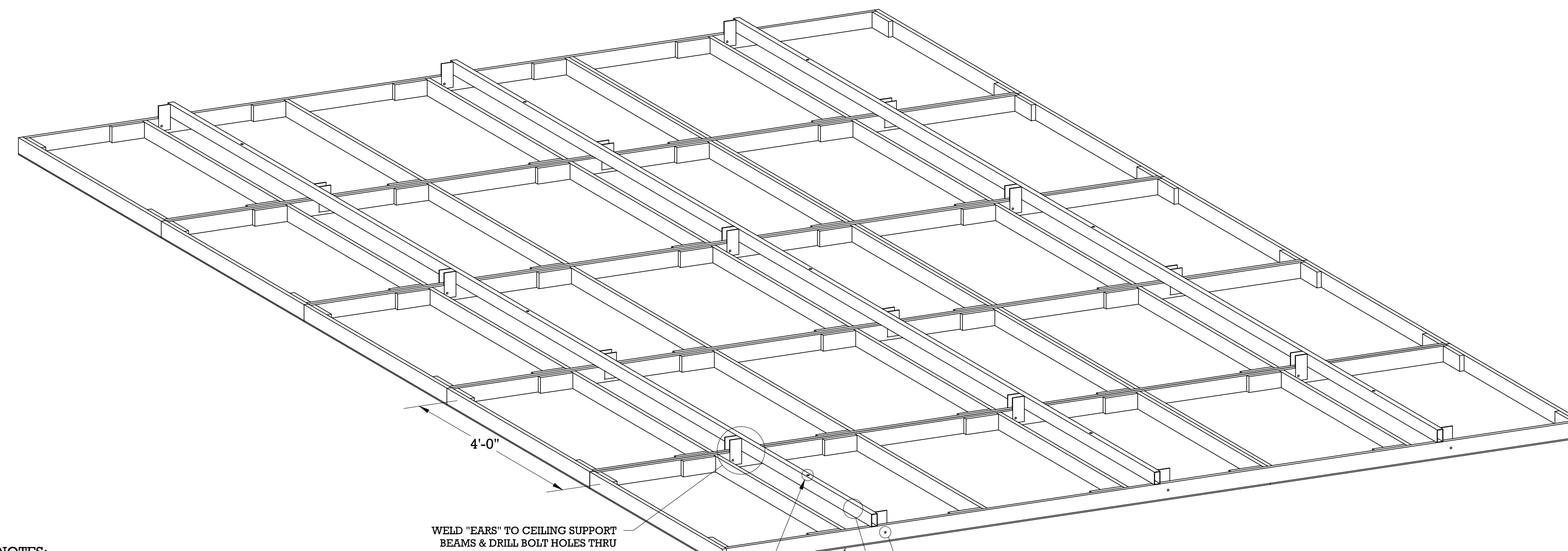


CEILING SUPPORT BEAM - R
TOP
SCALE: 1/2" = 1'-0"
MAKE 3

CEILING SUPPORT BEAM - L
TOP
SCALE: 1/2" = 1'-0"
MAKE 3

CEILING SUPPORT BEAM - R
FRONT
SCALE: 1/2" = 1'-0"
MAKE 3

CEILING SUPPORT BEAM - L
FRONT
SCALE: 1/2" = 1'-0"
MAKE 3



WELD "EARS" TO CEILING SUPPORT BEAMS & DRILL BOLT HOLES THRU WOOD DURING DRY FIT.
PICK POINT: 3/8" EYE NUT, BOLT & LOCK WASHER. SEE SECTION ON ZZ'.
BOLT STEEL TO WOOD W/ 1/4" BOLTS. USE F.H. BOLTS @ CL.
1x FLATS
CEILING SUPPORT BEAMS

SL CEILING
AUX
NOT TO SCALE

- NOTES:**
1. FLAT FRAMING IS 1x3 (NOM) PINE
 2. SKIN IS TBD
 3. METAL/VACUFORM MATERIAL IS TBD, IS LAST BIT TO BE APPLIED
 4. NOTE UNUSUAL TOGGLE OFFSET IN FLATS
 5. CEILING SUPPORT BEAMS ARE 1x2x16ga. BOX TUBE
 6. WELD THE CEILING "EARS" ONTO THE 1x2 BOX DURING DRY FIT
 7. DRILL THE CEILING "EARS" HOLES INTO THE PINE FRAMING
 8. CEILING SUPPORT BEAMS ARE RIGGED WITH 3/8" BOLTS & EYE NUTS.

FLAT FRAMING
O, X SKIN REMOVED
BUILD 2

FLAT FRAMING
P, Q, R, S, T, U, V & W SKIN REMOVED
BUILD 8

Plate:
04
of: 25

Date: 14 Aug. 2008

Revised:

Drafted by: Matthew D. Jordan
File Name: Hughie.dwg

Scale: Varies

Directed By: Robert Falls
Designed By: Eugene Price

LONG WHARF THEATRE

Hughie Ceiling